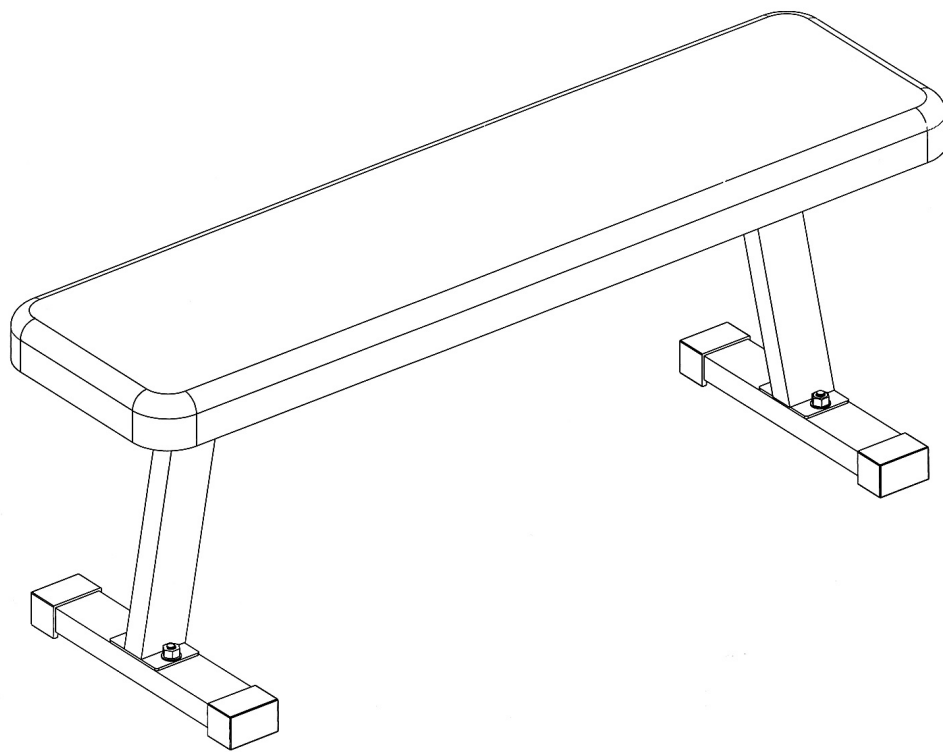


MARCY®

FLAT BENCH BANC DE MUSCULATION PLAT SB-315



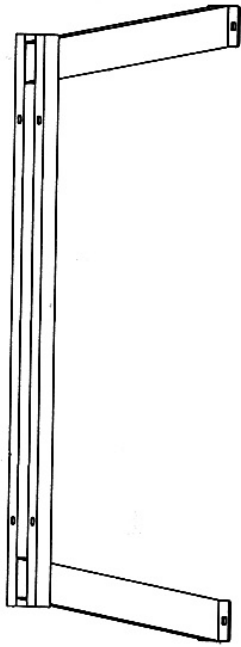
IMPORTANT: Please read the Important Safety Notice and Assembly Information in the Owner's manual before assembling this product.

IMPORTANT: Prière de lire le manuel de montage et le manuel u propriétaire avant de commencer à monter le banc.

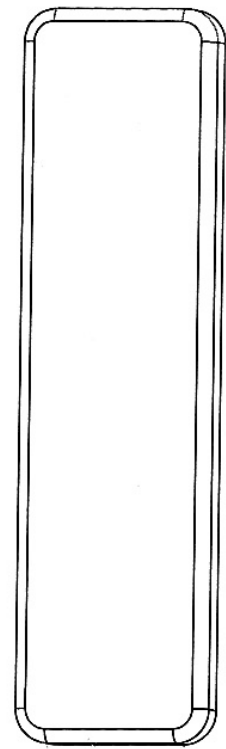
Assembly Manual

Manuel d'assemblage

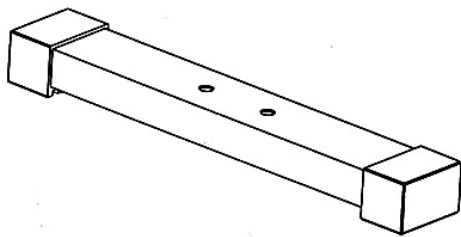
130621



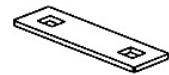
② X 1



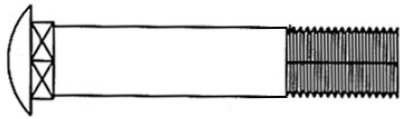
④ X 1



① X 2



③ X 2



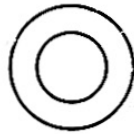
⑦ X 4



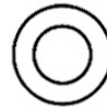
⑧ X 4



⑩ X 4



⑪ X 4

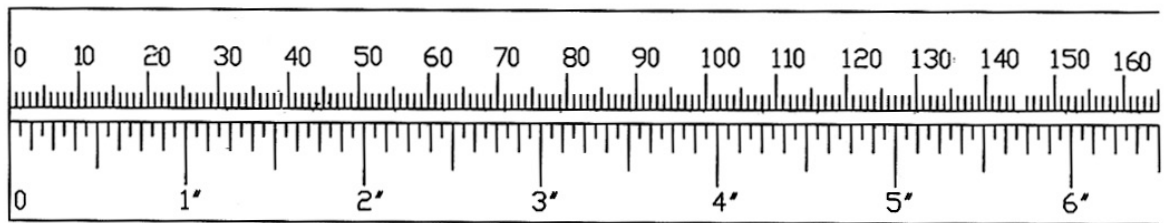


⑨ X 4

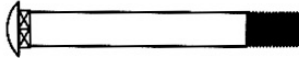


5#

mm



⑦ X 4



M10 x 2"

⑪ X 4

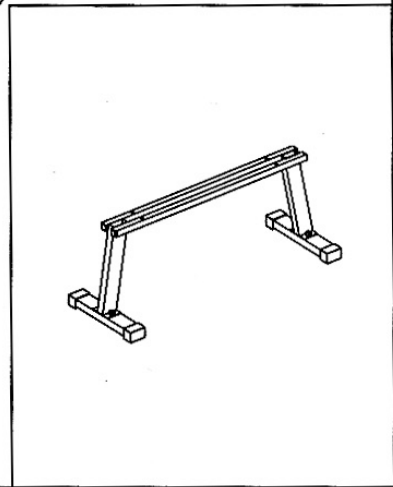
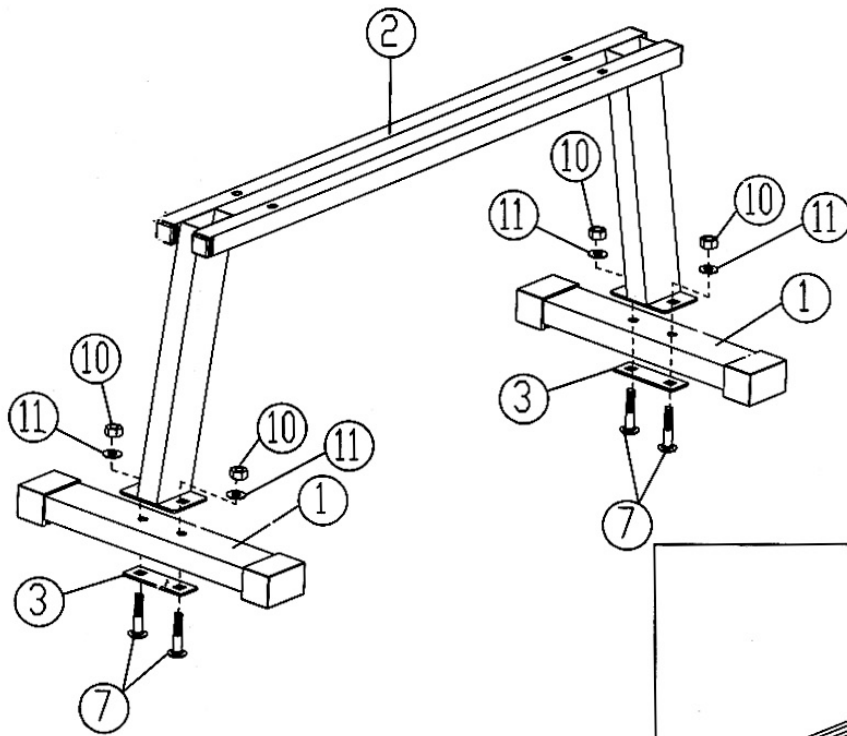
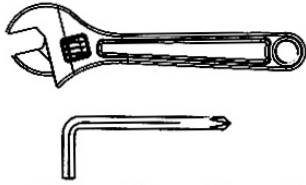


∅ 3/4"

⑩ X 4



M10



1

⑧ X 4

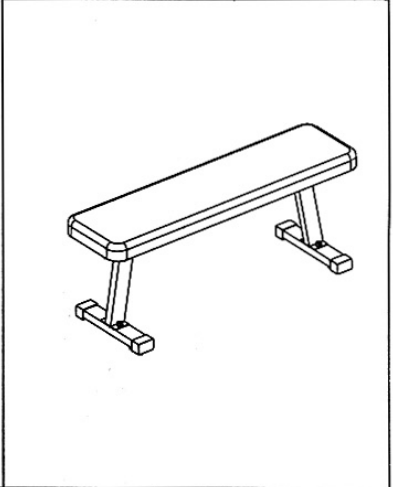
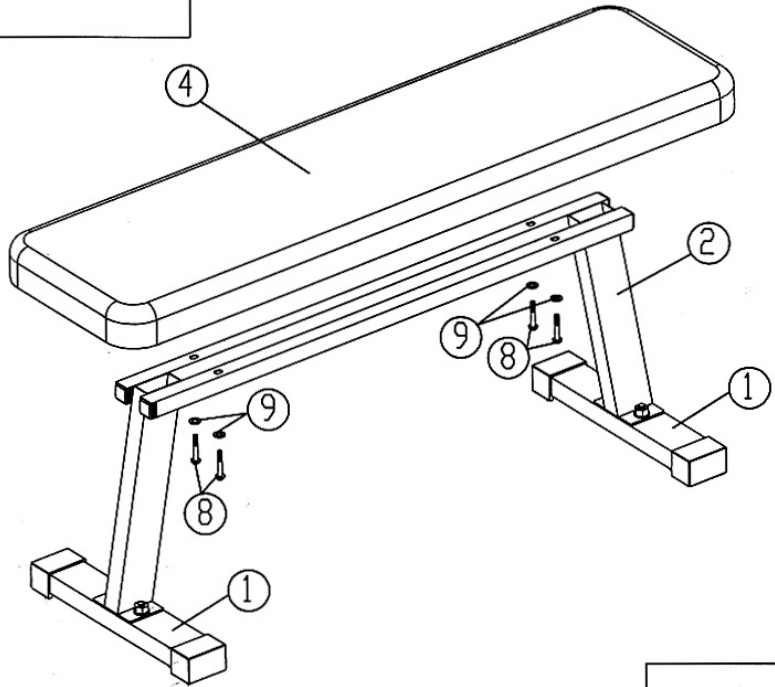
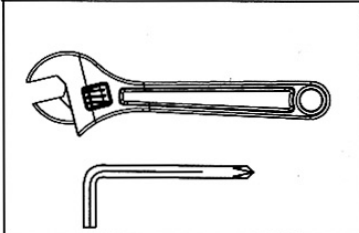


M8 x 1 1/2"

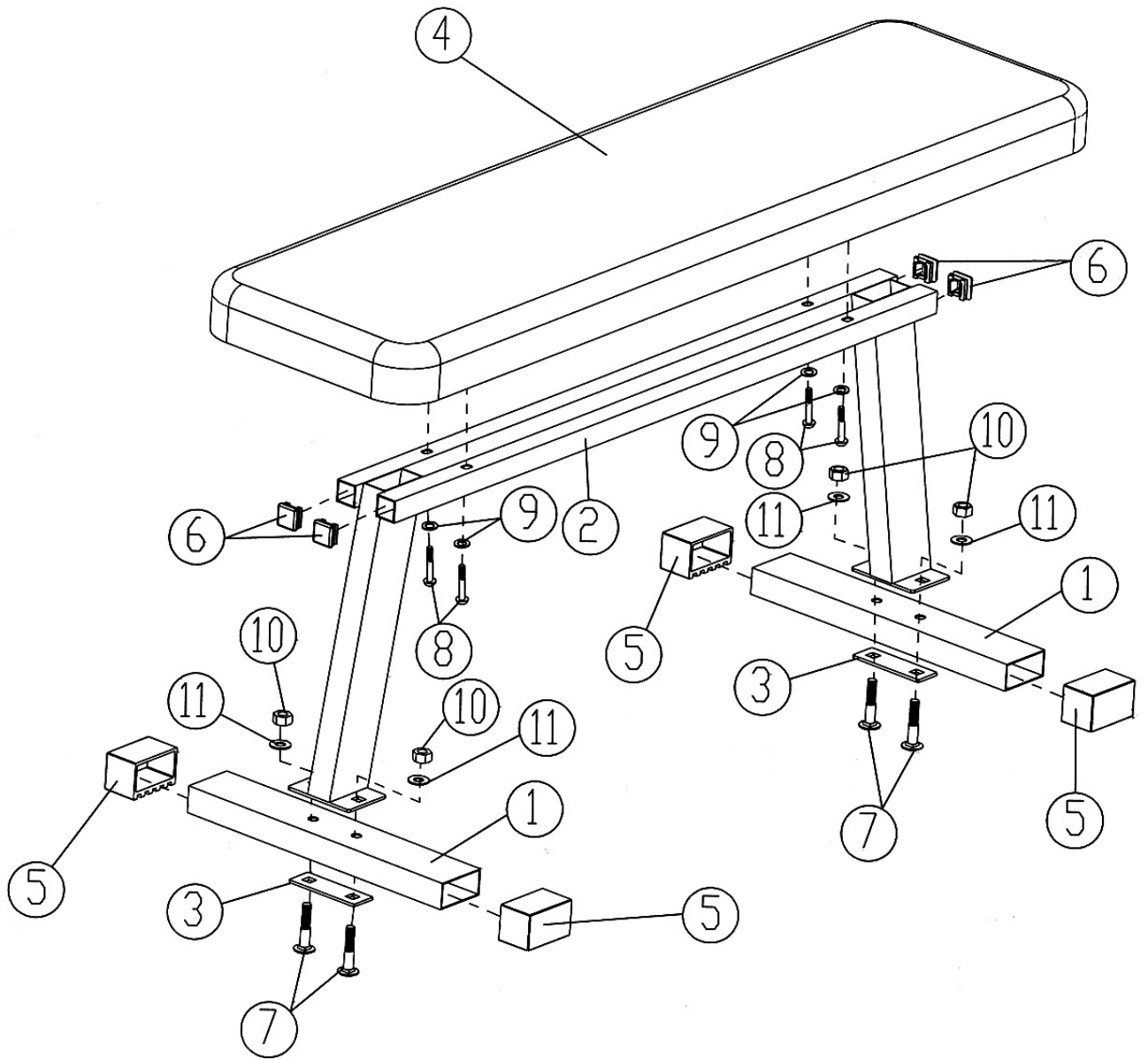
⑨ X 4



∅ 5/8"



2



IMPEX® INC.

2801 S. Towne Ave, Pomona, CA 91766

Tel: (800) 999-8899 Fax: (626) 961-9966

www.marcypro.com

support@impex-fitness.com