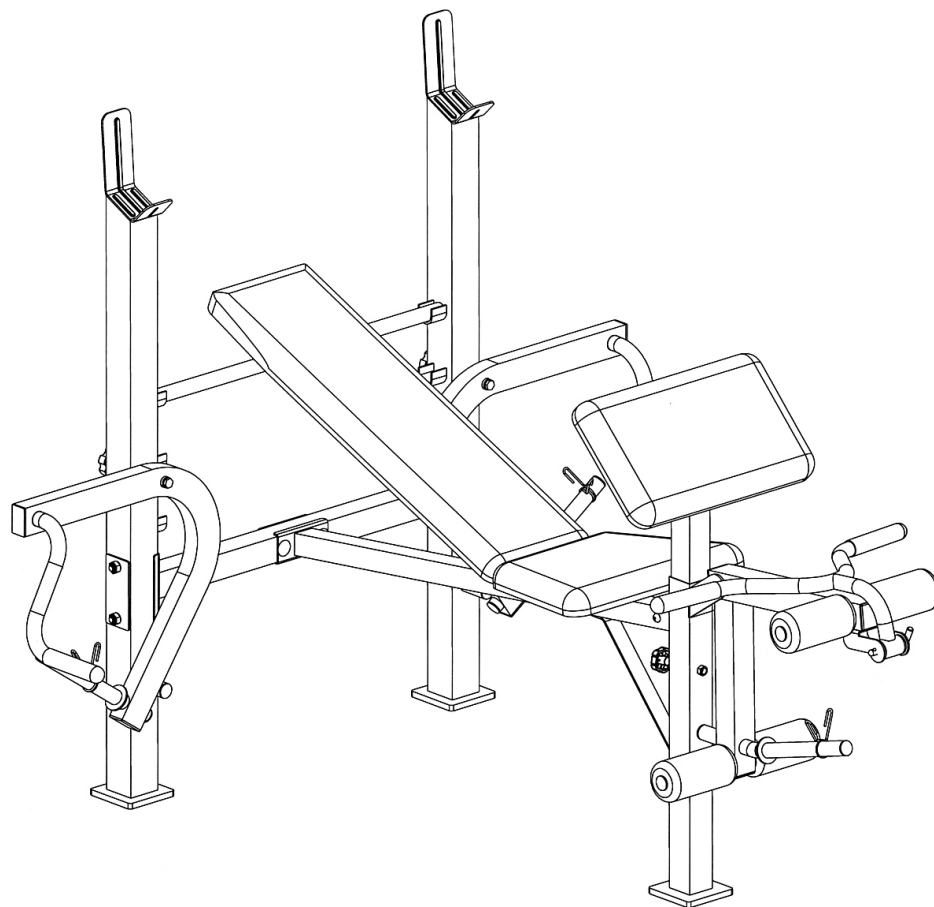


MARCY[®]

MARCY DIAMOND ELITE WEIGHT BENCH

BANCA DE PESAS MARCY DIAMOND ELITE

MD-389



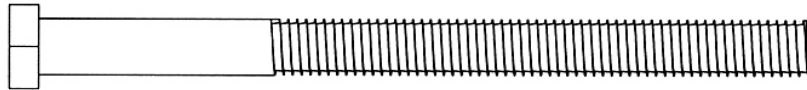
IMPORTANT: Please read the Important Safety Notice and Assembly Information in the Owner's manual before assembling this product.

Assembly Manual

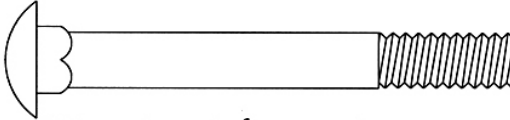
IMPORTANTE: Lea el Aviso de Seguridad Importante y la información de Ensamblaje incluida en el Manual del Propietario antes de ensamblar este producto.

Manual de Ensamblaje

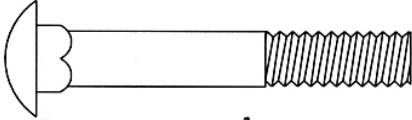
221228



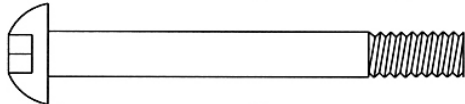
#41 M10 x 5 $\frac{1}{8}$ " Hex Bolt (Qty 2)



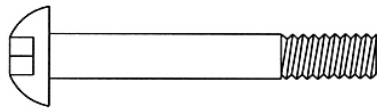
#34 M10 x 3 $\frac{1}{8}$ " Carriage Bolt (Qty 4)



#35 M10 x 2 $\frac{1}{2}$ " Carriage Bolt (Qty 2)



#36 M10 x 2 $\frac{3}{4}$ " Allen Bolt (Qty 1)



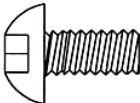
#38 M8 x 2 $\frac{1}{8}$ " Allen Bolt (Qty 1)



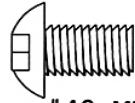
#39 M6 x 1 $\frac{1}{2}$ " Hex Bolt (Qty 4)



#40 M6 x 1 $\frac{3}{8}$ " Hex Bolt (Qty 4)



#37 M8 x $\frac{5}{8}$ " Allen Bolt (Qty 6)



#42 M10 x $\frac{5}{8}$ " Allen Bolt (Qty 2)



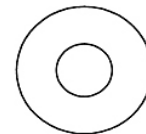
#43 \varnothing $\frac{1}{2}$ " Washer (Qty 8)



#44 \varnothing $\frac{5}{8}$ " Washer (Qty 8)



#45 \varnothing $\frac{3}{4}$ " Washer (Qty 8)



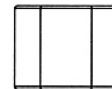
#46 \varnothing $\frac{3}{4}$ " Large Washer (Qty 2)



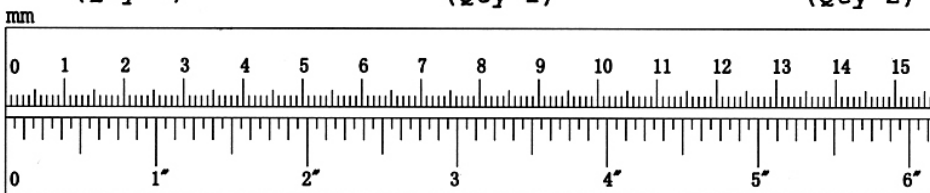
#47 M10 Aircraft Nut (Qty 7)

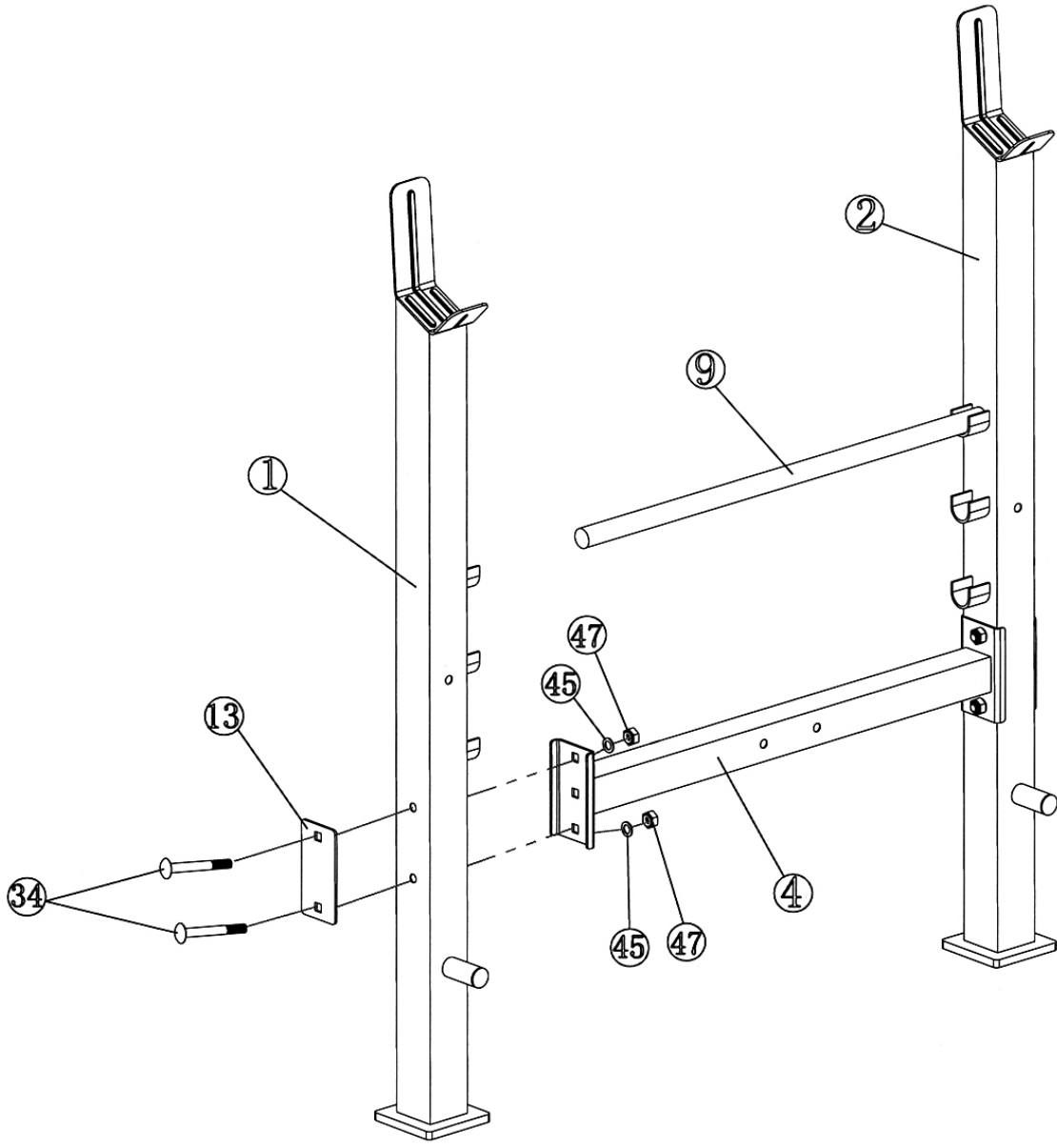


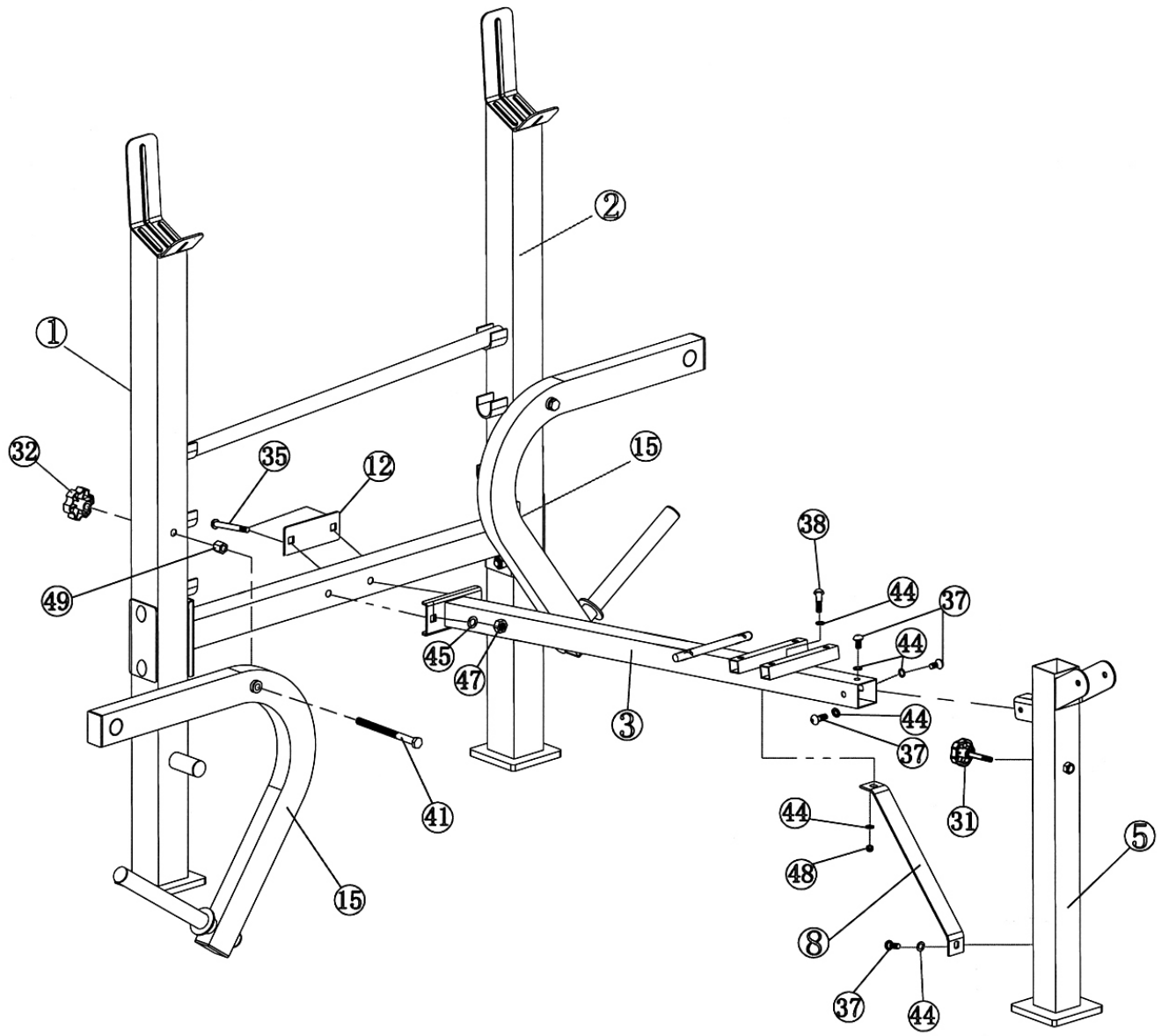
#48 M8 Aircraft Nut (Qty 1)

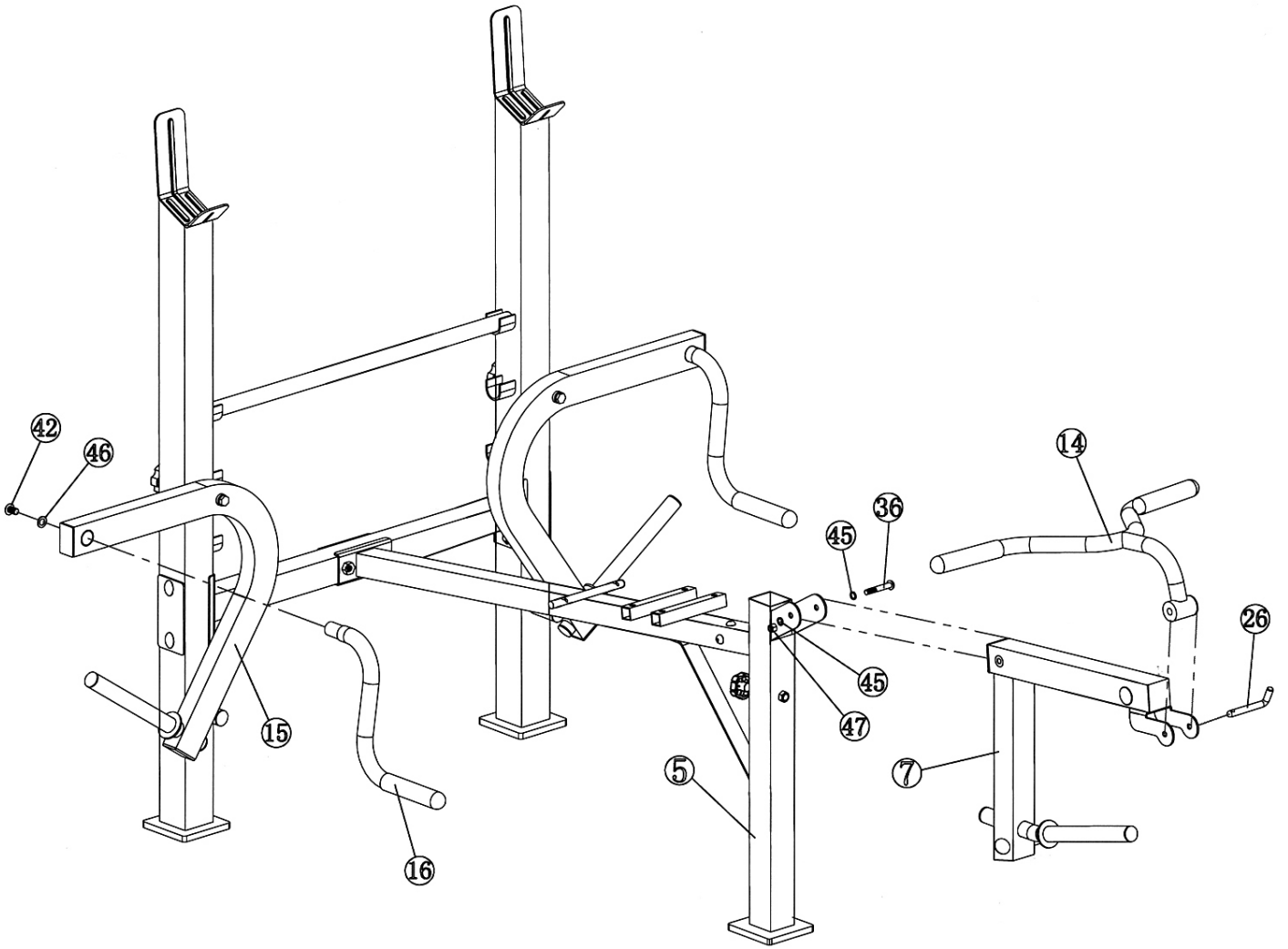


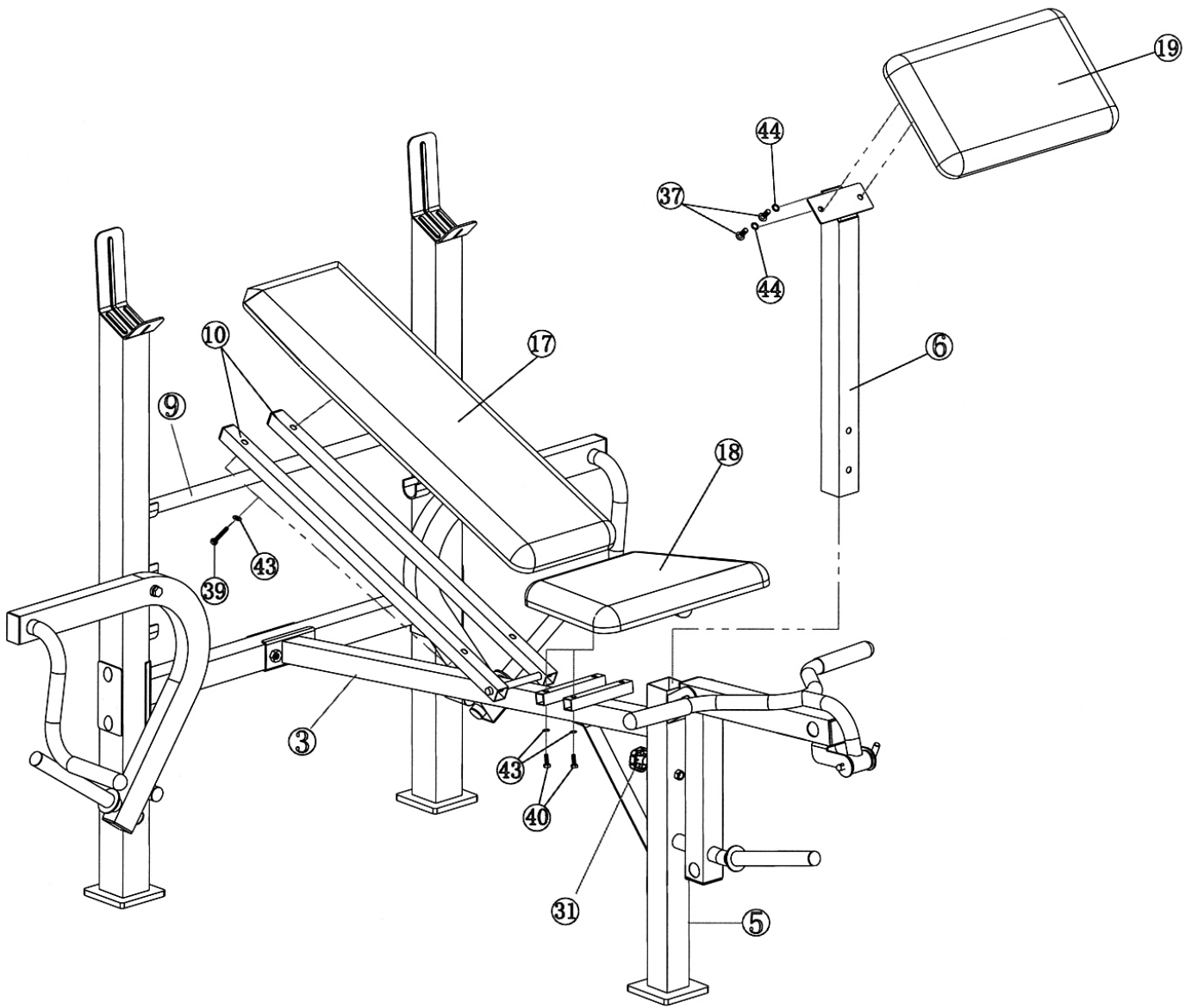
#49 Long Hex Nut (Qty 2)

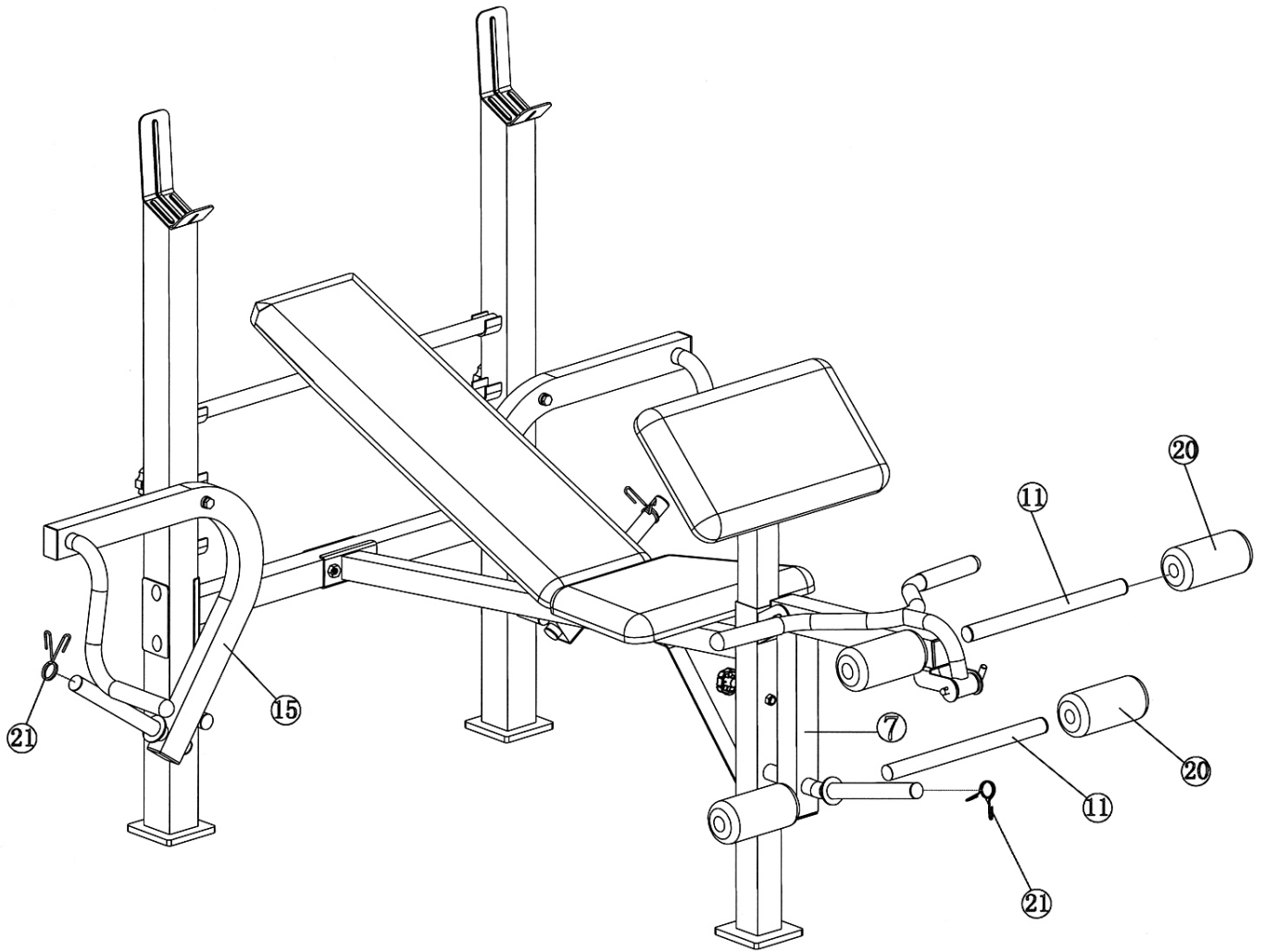




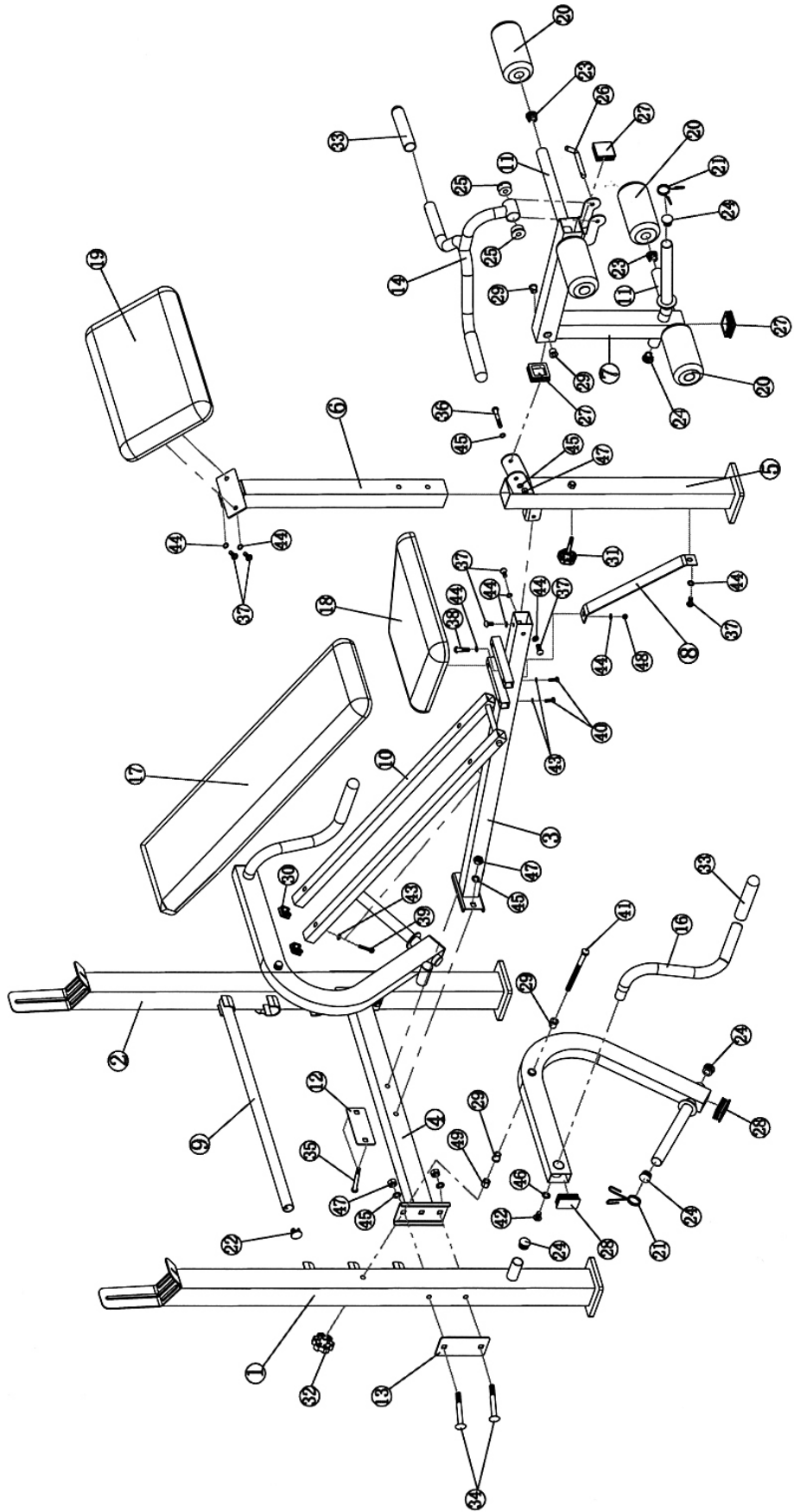








EXPLODED DIAGRAM



IMPEX® INC.

2801 S. Towne Ave, Pomona, CA 91766

Tel: (800) 999-8899 Fax: (626) 961-9966

www.marcypro.com

support@impex-fitness.com